



Buy it for looks. Buy it for life.®

# Specifications

*There is more than one version of this model  
Page down to identify the version you have*

## DESCRIPTION

- Metal construction with various finishes identified by suffix
- 1/2" IPS connections
- Includes metal pop-up waste assembly

## OPERATION

- Lever style handles
- Maximum handle(s) rotation angle is 90° to full on
- Rotate hot side counterclockwise to open (clockwise to close)
- Rotate cold side clockwise to open (counterclockwise to close)


## FLOW

- Water usage is limited to these maximum flow rates as indicated by the corresponding product markings
  - 1.2 gpm max (4.5L/min) at 60 psi
  - 1.5 gpm max (5.7L/min) at 60 psi

## CARTRIDGE

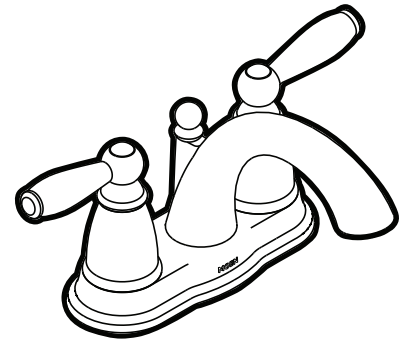
- 1234 cartridge design
- Nonmetallic and stainless steel material

## STANDARDS

- Third party certified to WaterSense,® ASME A112.18.1/CSA B125.1, and all applicable requirements referenced therein
- Certified to NSF 61/9 & 372
- Products marked with 1.2 gpm are compliant with California water efficiency regulations
- Complies with California Proposition 65 and with the Federal Safe Drinking Water Act
- **ADA**  for lever handles

## WARRANTY

- Limited lifetime warranty against leaks, drips and finish defects to the original consumer purchaser
- 5 year warranty if used in commercial installations

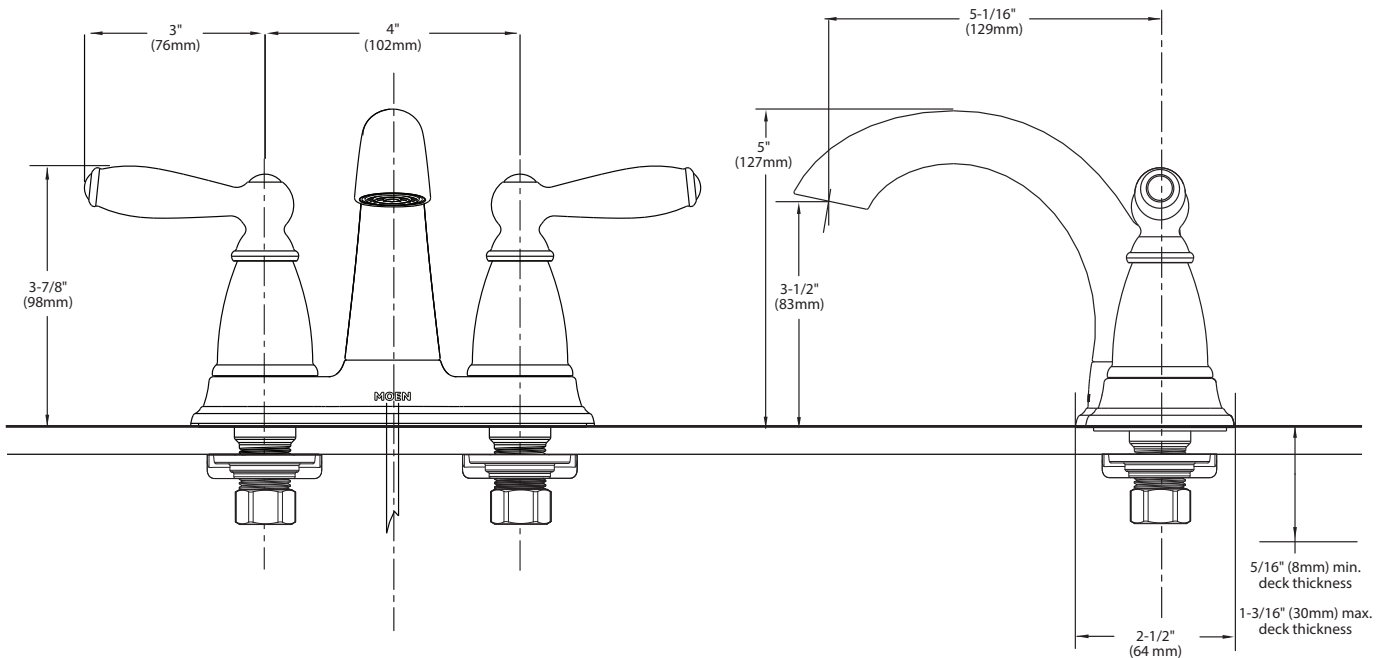


## BRANTFORD™ 4" Lavatory Faucet with Metal Waste Assembly

**Models:** 6610 series

**Bulk Model:** 66610  
(Bulk packed 6 per carton)  
**50/50 Waste Assembly**

**NOTE:** THIS FAUCET IS DESIGNED TO BE  
INSTALLED THRU 3 HOLES, 1" MIN. DIA.



## CRITICAL DIMENSIONS

(DO NOT SCALE)



Buy it for looks. Buy it for life.®

# Specifications

## DESCRIPTION

- Metal construction with various finishes identified by suffix
- 1/2" IPS connections
- Includes metal pop-up waste assembly

## OPERATION

- Lever style handles
- Maximum handle(s) rotation angle is 90° to full on
- Rotate hot side counterclockwise to open (clockwise to close)
- Rotate cold side clockwise to open (counterclockwise to close)

## FLOW

- Flow is limited to 1.5 gpm max (5.7L/min) at 60 psi, for products made before October 2008 flow is limited to 2.2 gpm max (8.3 L/min)

## CARTRIDGE

- 1224 cartridge design
- Nonmetallic and stainless steel material

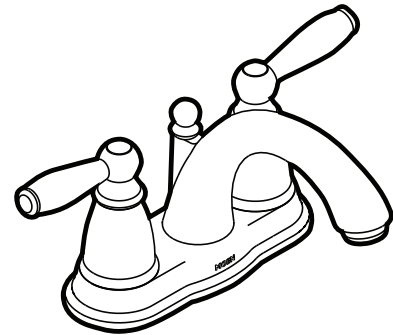
## STANDARDS

- Third party certified to WaterSense®, ASME A112.18.1/CSA B125.1 and all applicable requirements referenced therein
- Certified to NSF 61/9 & 372
- Complies with California Proposition 65 and with the Federal Safe Drinking Water Act

- **ADA**  for lever handles

## WARRANTY

- Limited lifetime warranty against leaks, drips and finish defects to the original consumer purchaser
- 5 year warranty if used in commercial installations

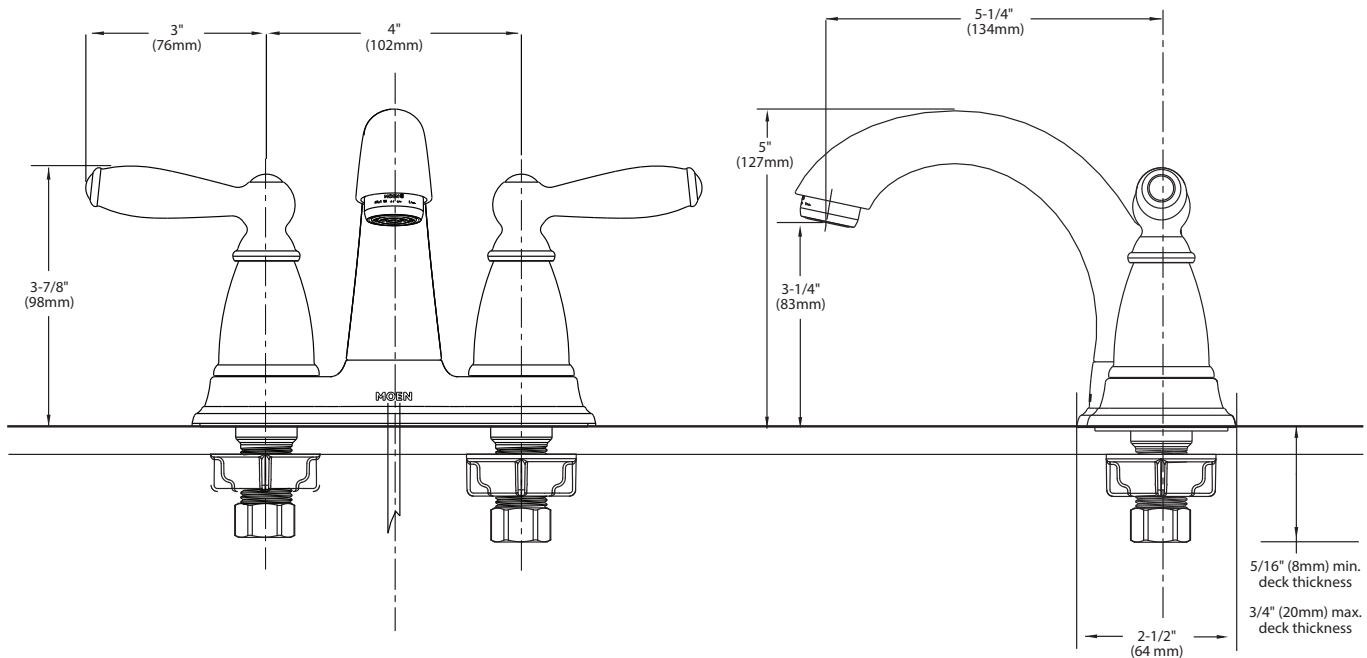


## BRANTFORD™ 4" Lavatory Faucet with Metal Waste Assembly

Models: 6610 series

**Bulk Model: 66610**  
**(Bulk packed 6 per carton)**  
**50/50 Waste Assembly**

**NOTE:** THIS FAUCET IS DESIGNED TO BE INSTALLED THRU 3 HOLES, 1" MIN. DIA.



## CRITICAL DIMENSIONS

(DO NOT SCALE)